

Installation Instruction

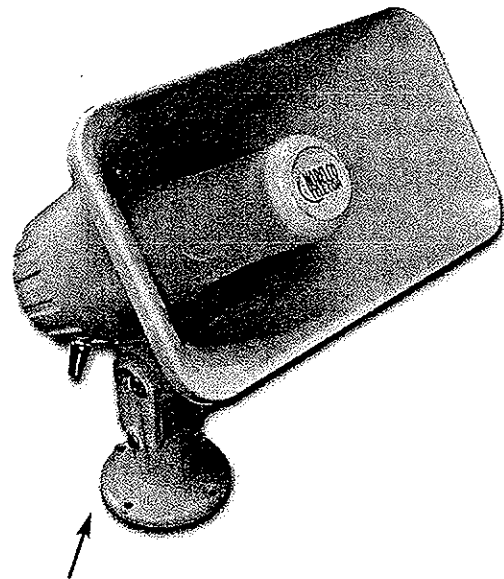
5 Watt - 15 Watt Self Amplified Paging Horns

Issue A: January, 2000

Introduction

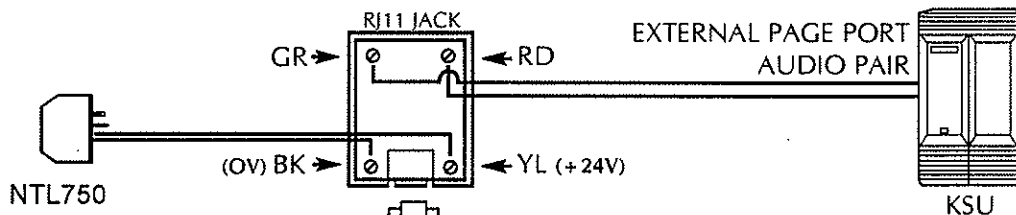
These instructions apply to NTL0403 5 Watt and NTL0404 15 Watt Amplified Horns. These Amplified Horns are suitable for inside or outdoor use and are compatible with all voice paging control units.

- Easy Installation
- Individual volume control
- Works on all phone systems, connects directly to KSU/PBX page port
- No need for expensive external amplifiers
- Rugged housing
- Weatherproof Enclosure
- Extend Paging Capabilities of Key Systems
- Use as Loud Station - Ringers
- Use with 70 Volt Line Amplifiers



180 degree swivel mounting bracket

NTL0403-0404 Self Amplified Paging Horns



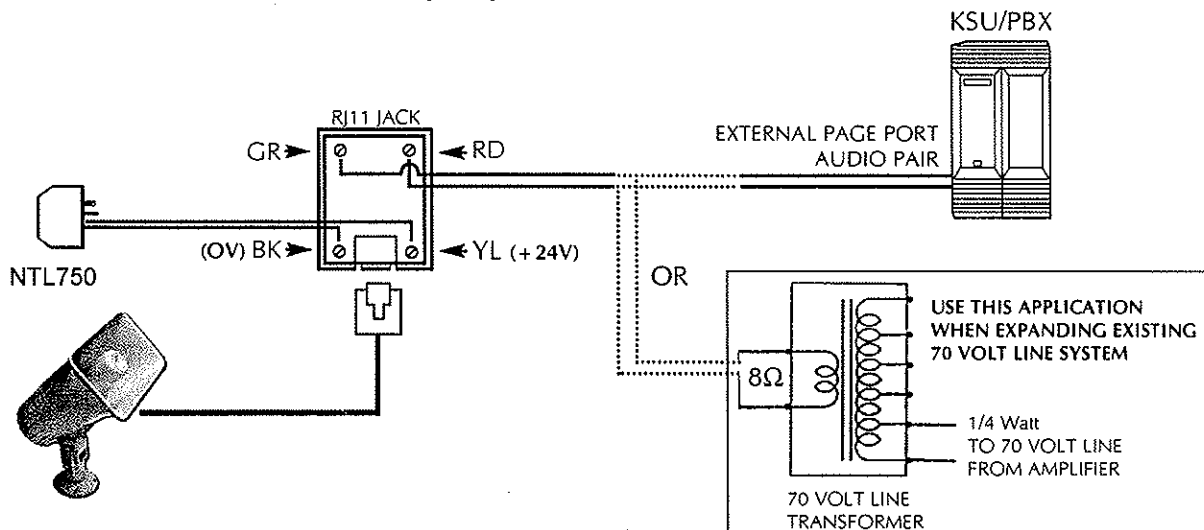
NOISE AND COVERAGE CHART

NOISE LEVEL	HORN REQUIREMENT
50 to 65 dB (equivalent to a typical office)	NTL0403 For every 10,000 square feet
65 to 80 dB (equivalent to a retail store)	NTL0403 For every 5,000 square feet
80 to 90 dB (typical light manufacturing plant)	NTL0403 For every 2,500 square feet
More than 90 dB (heavy manufacturing plant)	NTL0404 For every 2,000 square feet

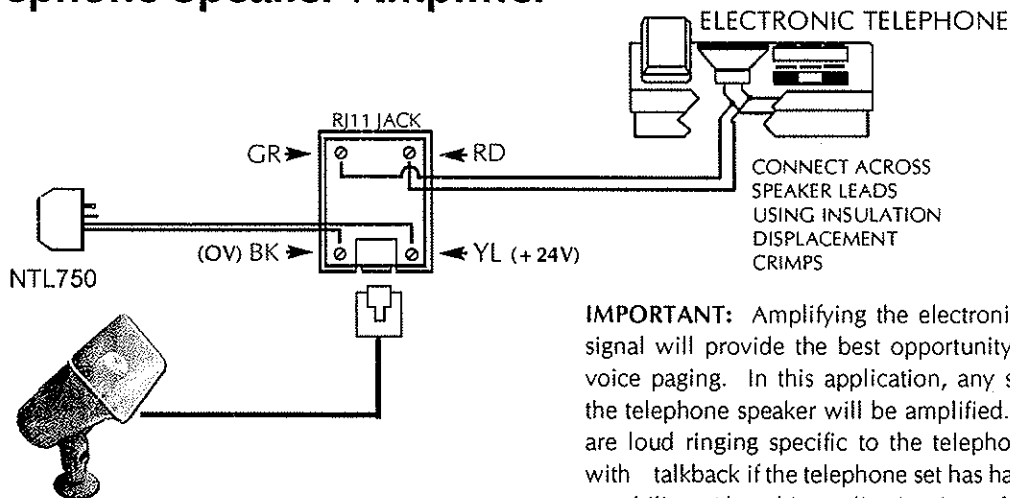
Installation Instruction continued...

Typical Installation

Paging with KSU/PBX Paging Port or 70Volt Line



Telephone Speaker Amplifier



IMPORTANT: Amplifying the electronic telephone speaker signal will provide the best opportunity for loud ringing or voice paging. In this application, any signals appearing on the telephone speaker will be amplified. Typical advantages are loud ringing specific to the telephone and loud paging with talkback if the telephone set has hands-free answerback capability. Also, this application is useful when it is difficult to provide additional wiring for paging or ringing from the common equipment.

NOTE: IF THE TELEPHONE WILL BE USED FOR TALK BACK PAGING THEN LOCATION OF THE LOUD SPEAKER MAY BE CRITICAL. AVOID MOUNTING THE SPEAKER SUCH THAT IT IS DIRECTED TOWARDS THE TELEPHONE.

TROUBLE SHOOTING NOTE:

NTL0404 IS POLARITY SENSITIVE, IF YOU HAVE NO SOUND COMING OUT OF THE HORN TRY REVERSING POWER CONNECTIONS BLACK AND YELLOW PAIR AT RJ11 JACK.

Head Office

27 Armthorpe Rd. Brampton, Ontario L6T 5M4
1-800-668-3402 Tel: 905-790-1234 Fax: 905-790-1122

Quebec Regional Office

4050, boulevard Le Corbusier Bureau 200 Laval, (Québec) H7L 5R2
1-800-361-7793 Téléphone: 450-628-4600 Télécopie: 450-628-3477